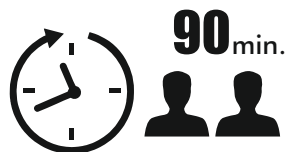
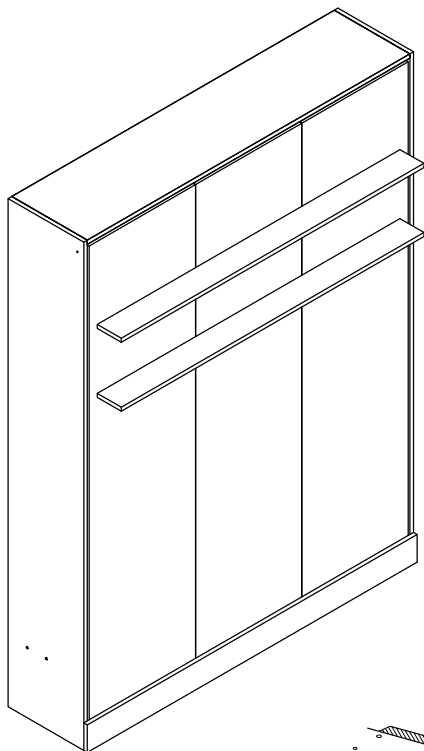


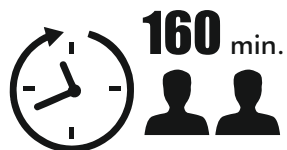


MULTIMO

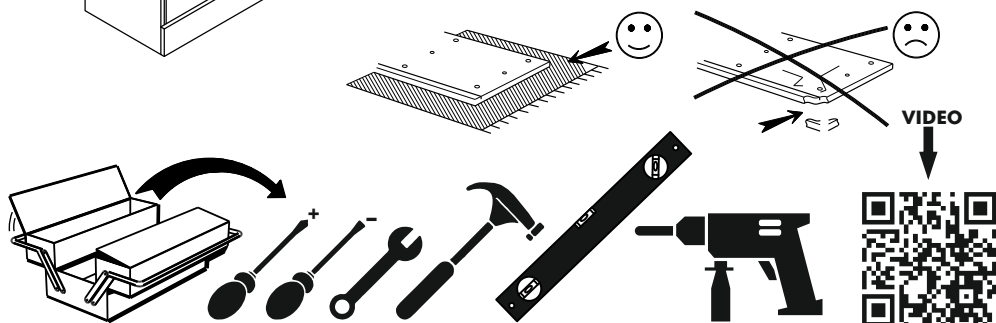
711- PRIMER QUEEN BED



Technical Service



End User

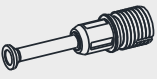

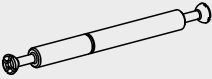
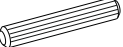

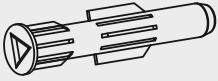
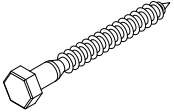
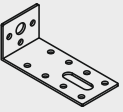


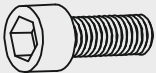
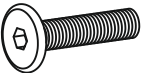
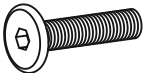



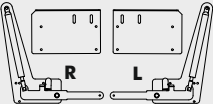



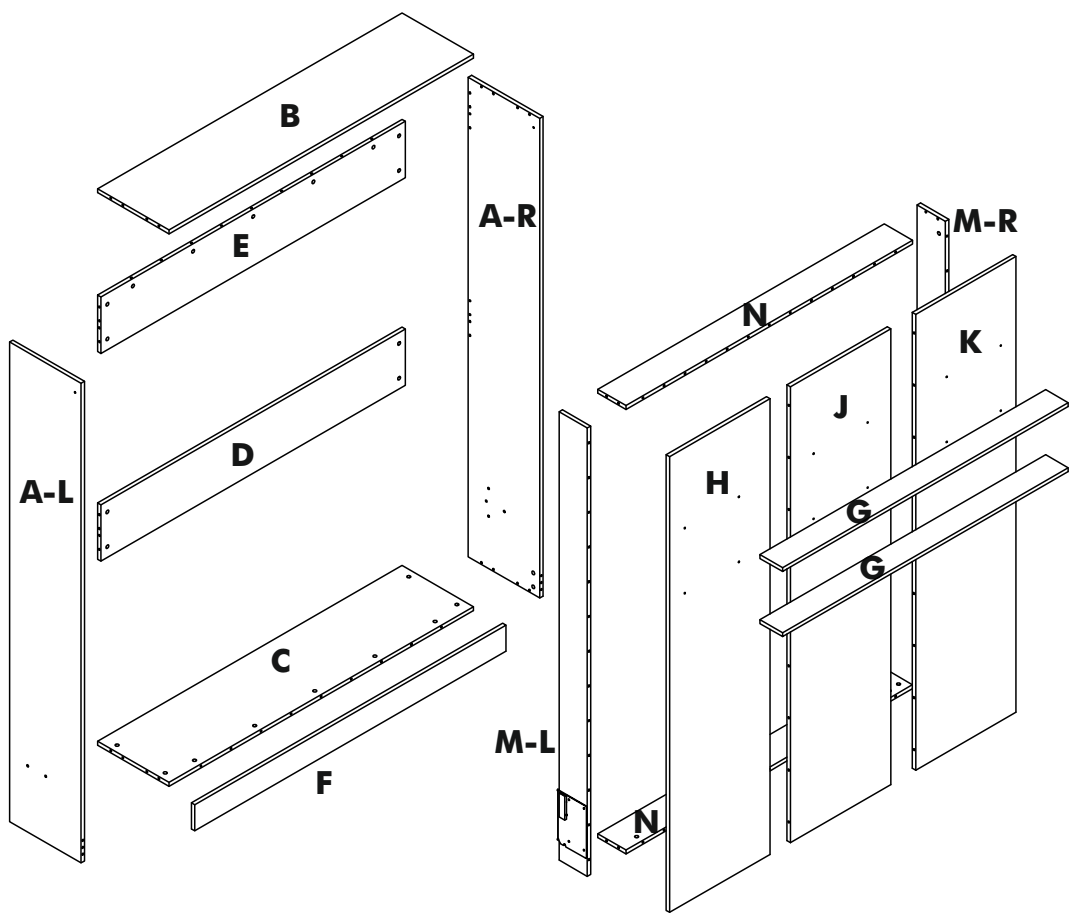
https://youtu.be/bnZgChi_Z4

Assembly Instructions

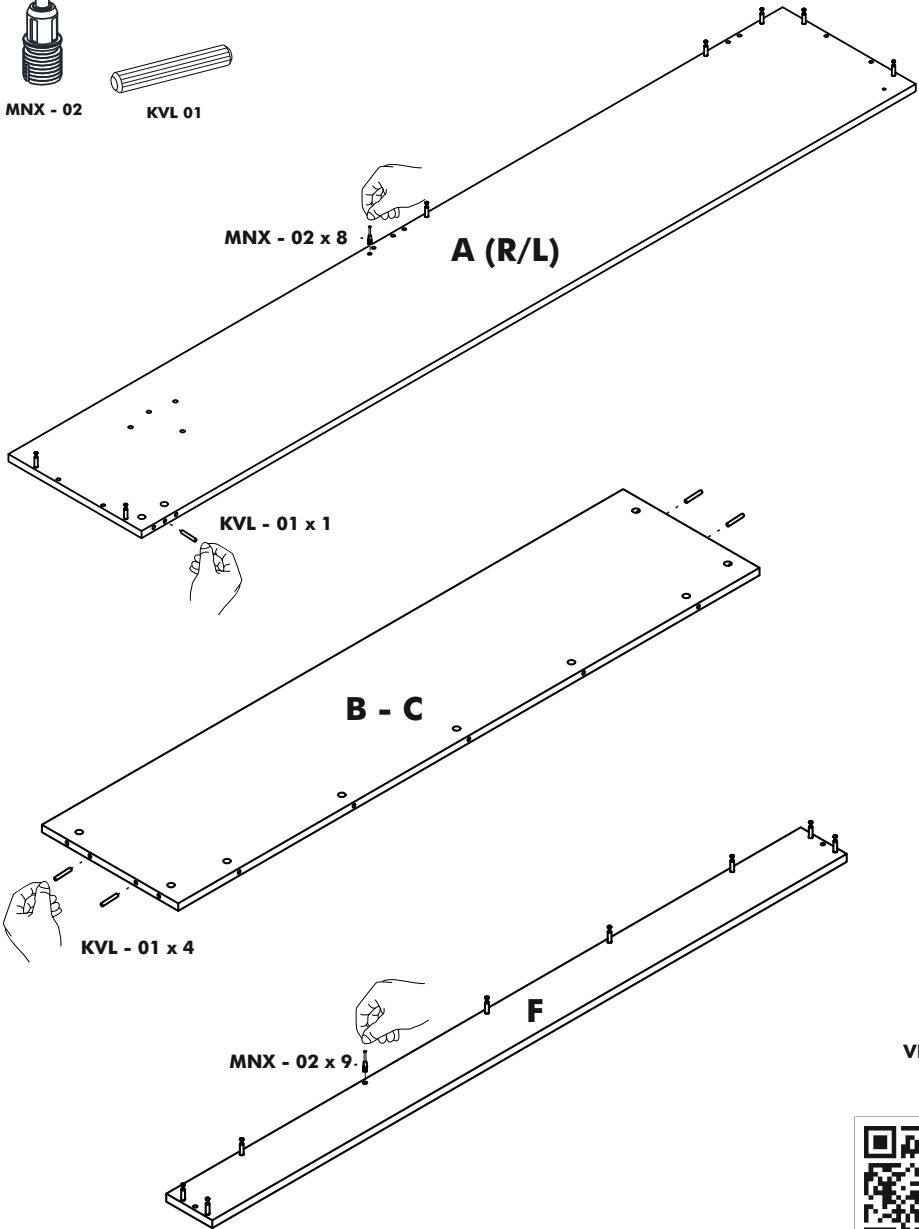
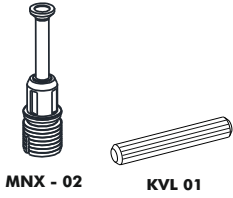
Track Title	Piece	(inch)			(mm)			
		Thickness	Length	Width	Piece	Thick	Height	Most
A		0,71	87,01	14,96	2	18	2210	380
B		0,71	63,78	14,96	1	18	1620	380
C		0,71	63,78	14,96	1	18	1620	380
D		0,71	63,78	10,24	1	18	1620	260
E		0,71	63,78	10,24	1	18	1620	260
F		0,71	65,20	4,72	1	18	1656	120
G		0,71	59,84	4,72	2	18	1520	120
H		0,71	82,68	21,02	1	18	2100	534
K		0,71	82,68	21,02	1	18	2100	534
J		0,71	82,68	21,02	1	18	2100	534
M		0,71	81,34	5,91	2	18	2066	150
N		0,71	60,00	5,91	2	18	1524	150

Accessories List

MNX 02  58 / piece	MNG - 01  78 / piece	MNX - 03  10 / piece	KVL 01  54 / piece
TAP - 01  78 / piece	DD - 01 (R10)  3/ piece	TFC - 01(8x70) mm  3 / piece	DSE - 01 (40x90x32) mm  3/ piece
PL - 02 (8x22x1) mm  3 / piece	VTB - 01 (4,8x16) mm  16/ piece	IM - 02 (6x20) mm  4 / piece	CT - 04 (6x20) mm  8/ piece
CT - 08 (6x25) mm  2 / piece	OT-054  2 / piece	PL - 04 (5x12x0,7) mm  4 / piece	VDA - 01 (6,5x50) mm  20/ piece
HF - 01 (1200 N)  1 / piece	YKR - 01  1 / piece		



STEP 1

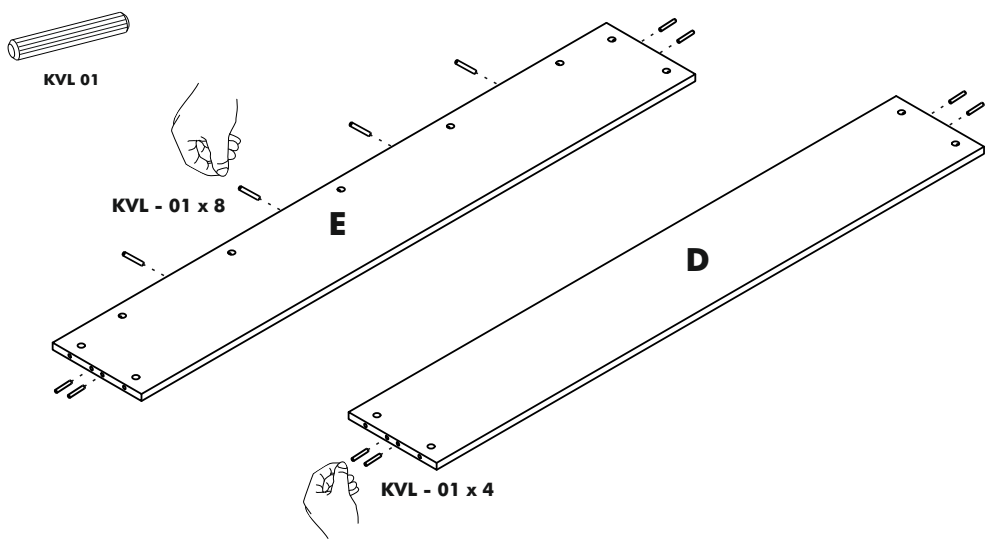


VIDEO

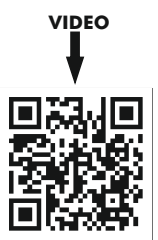
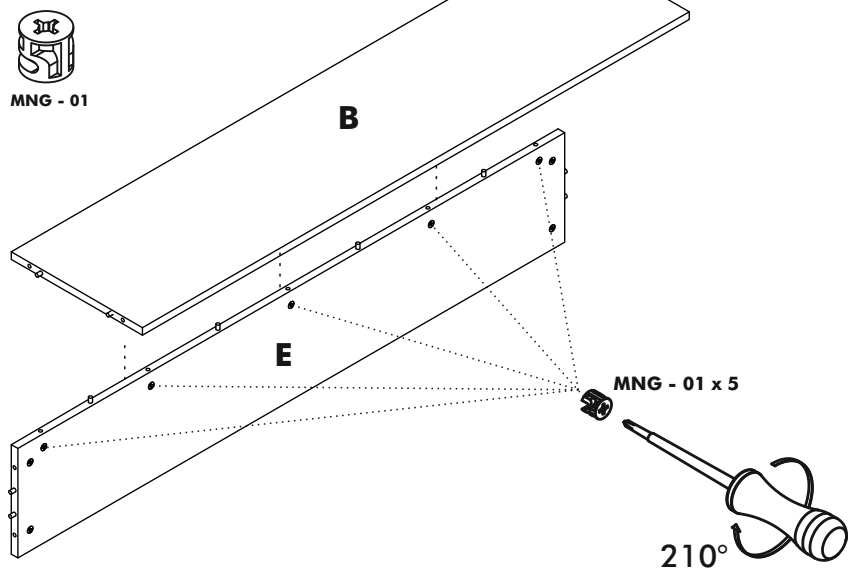


<https://youtu.be/bopC9HWNQcl>

STEP 2



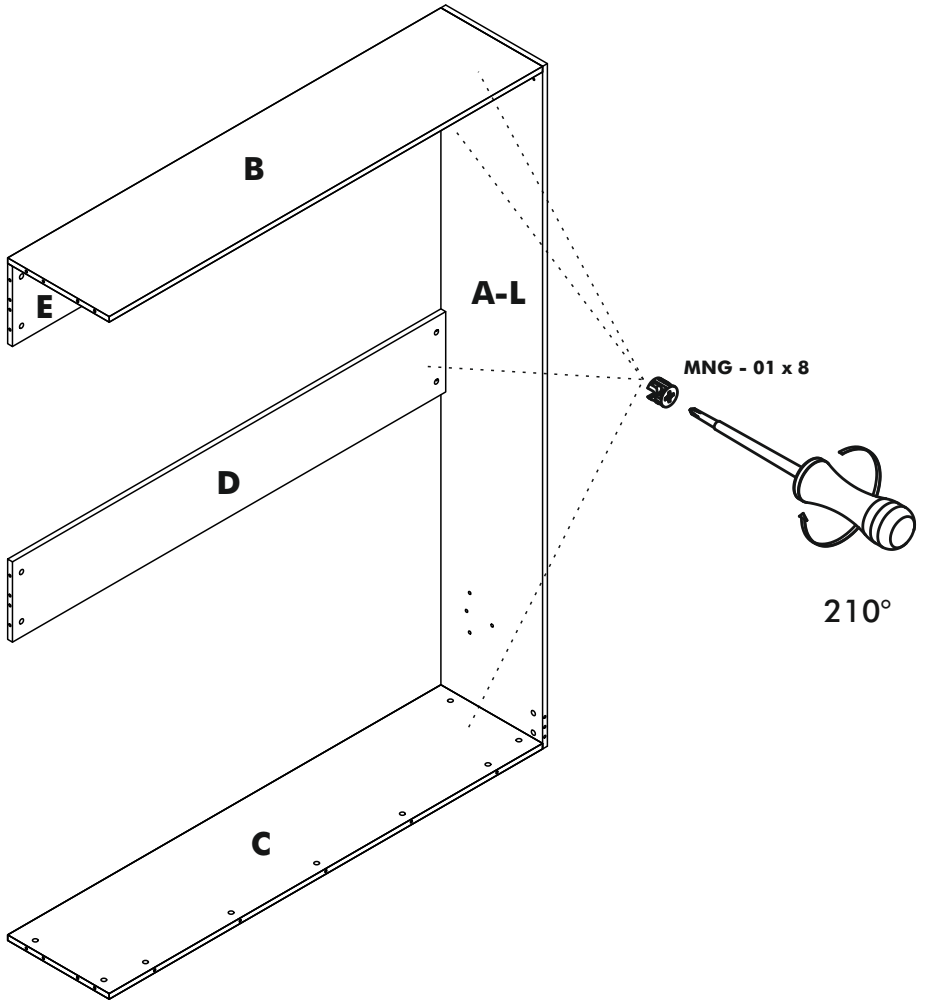
STEP 3



STEP 4



MNG - 01



VIDEO

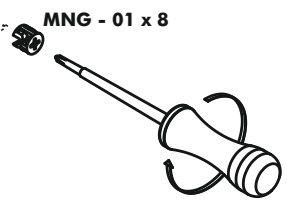
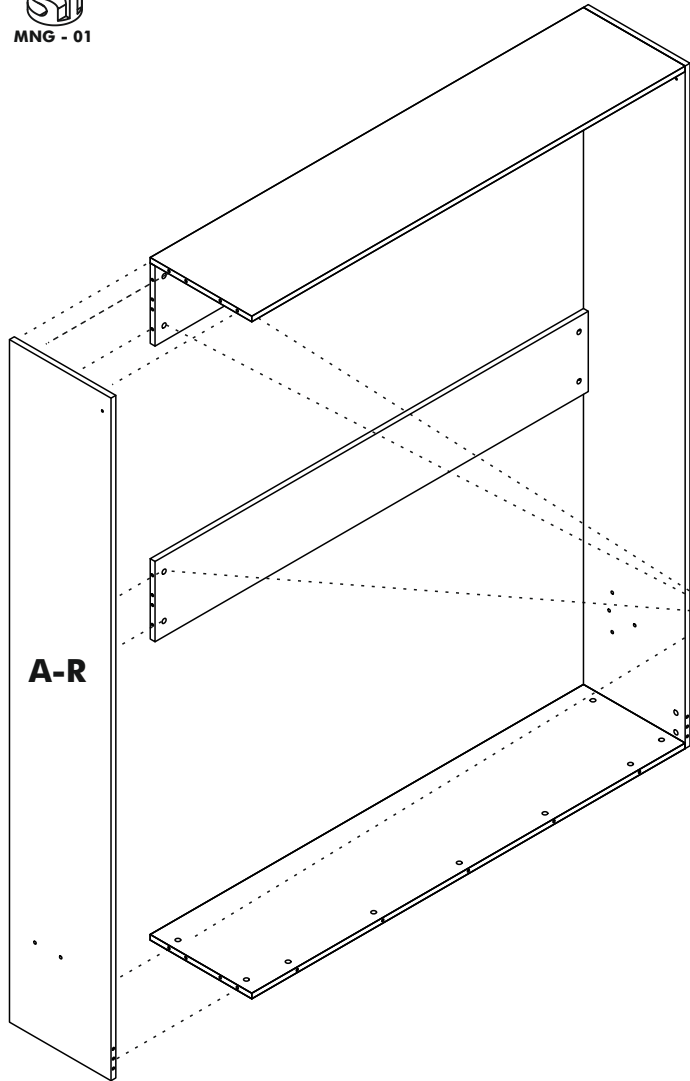


<https://youtu.be/9Wllw28g0mY>

STEP 5



MNG - 01



MNG - 01 x 8

210°

VIDEO

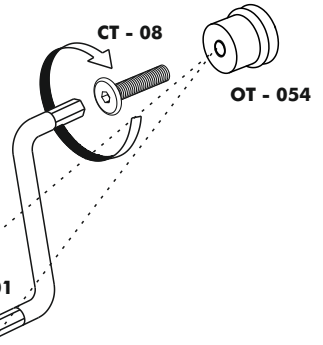
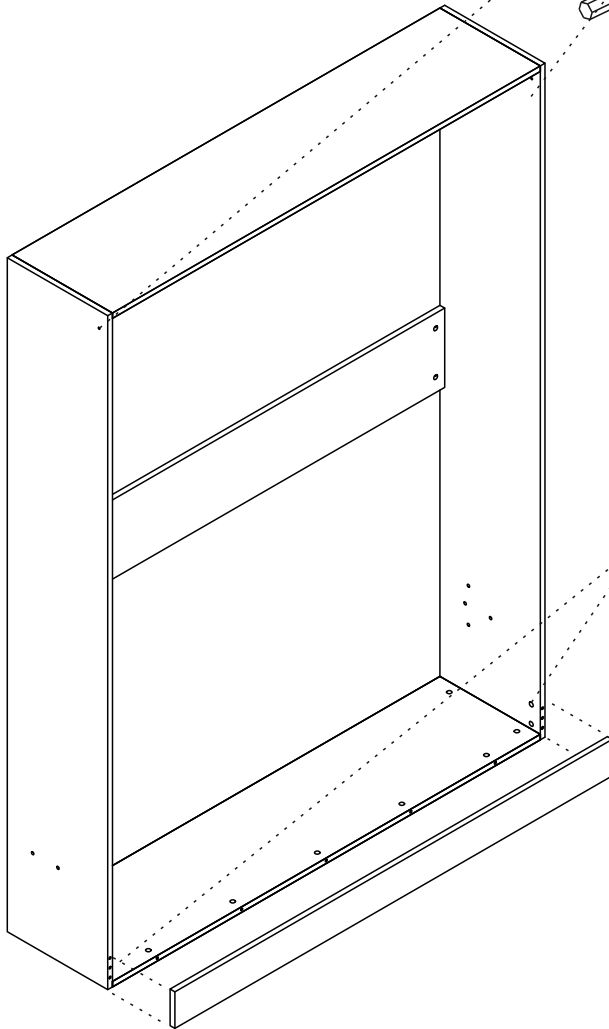


<https://youtu.be/9Wllw28g0mY>

STEP 6



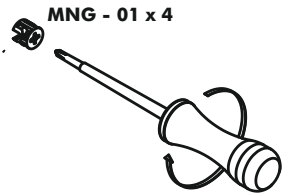
MNG - 01



STEP 7



MNG - 01



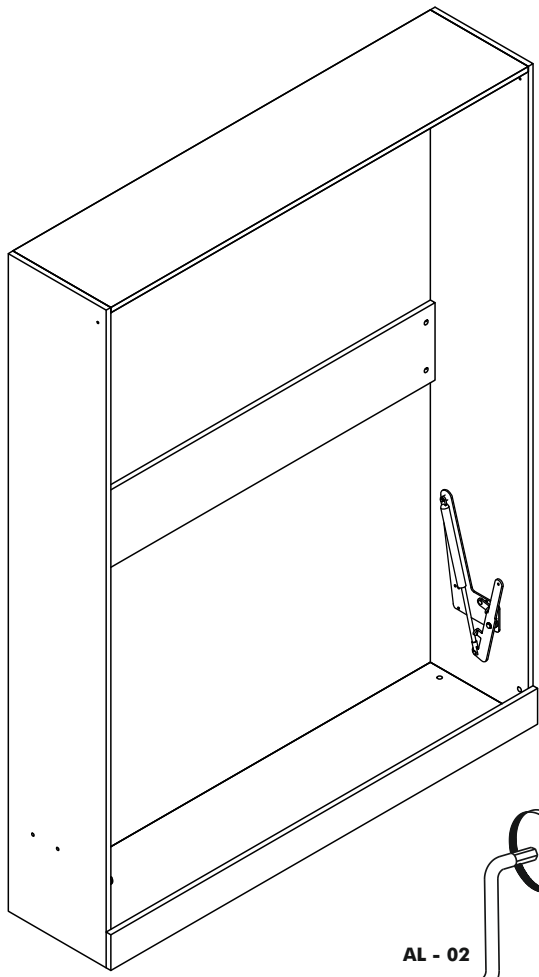
210°

VIDEO

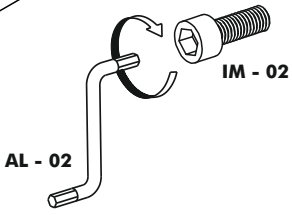
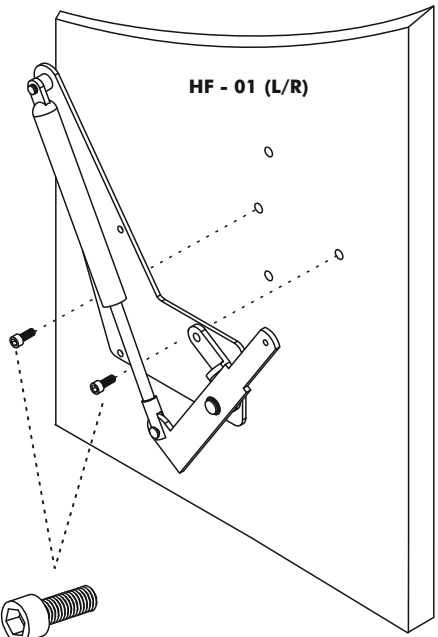


<https://youtu.be/3YzKQ-1HtGU>

STEP 8



CAUTION
DO NOT UNLOCK BEFORE INSTALL



VIDEO



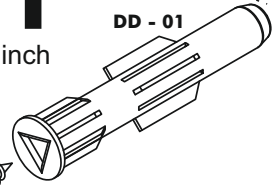
<https://youtu.be/Z1-KXyrALL4>

STEP 9



Ø 10 mm / 0,254 inch

DD - 01

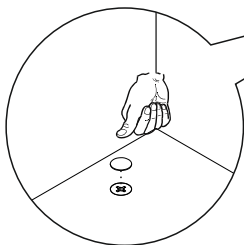
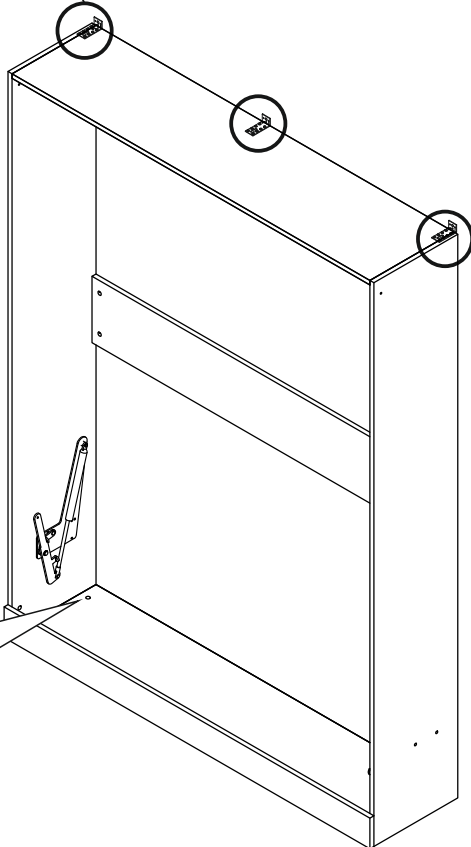
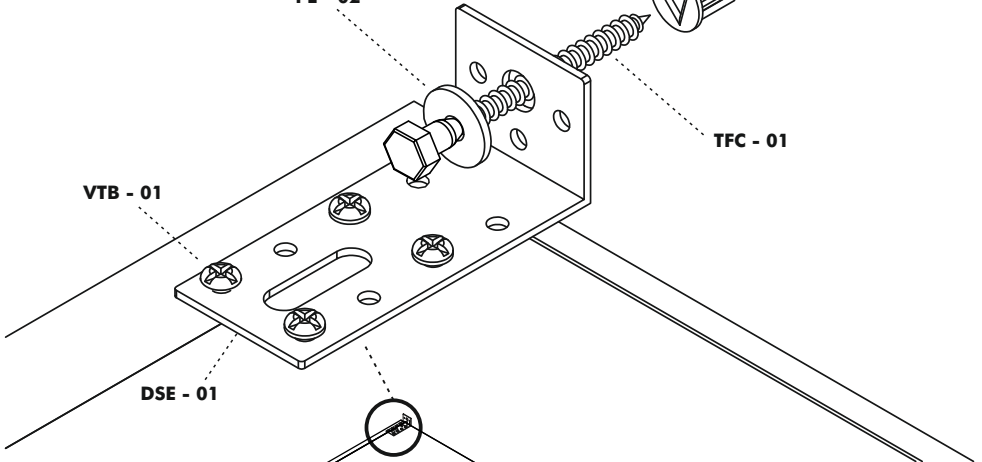


PL - 02

TFC - 01

VTB - 01

DSE - 01



VIDEO



<https://youtu.be/wnyoGWVRTV8>

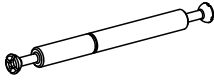
STEP 10



MNX - 02



KVL 01



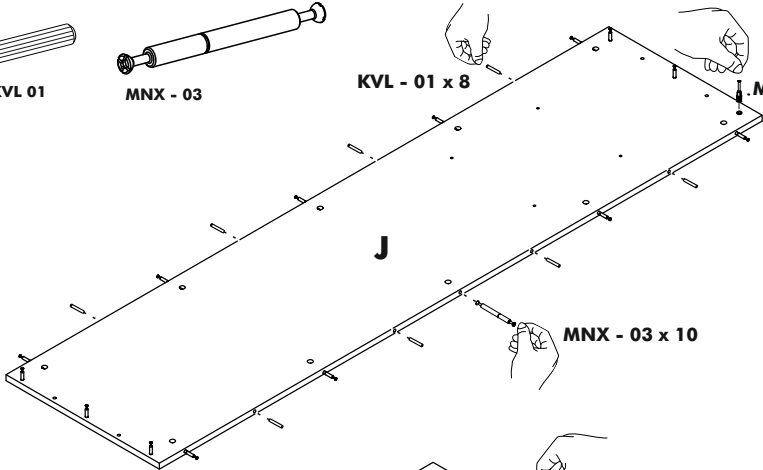
MNX - 03



KVL - 01 x 8



MNX - 02 x 6

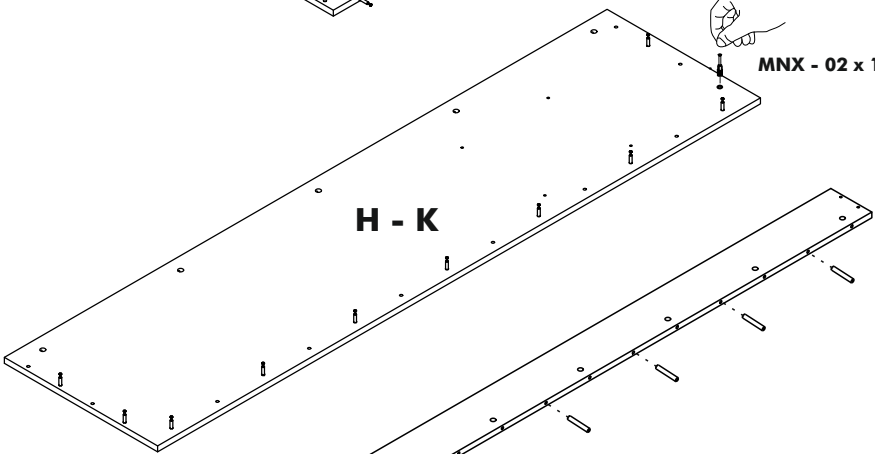


J

MNX - 03 x 10



MNX - 02 x 11

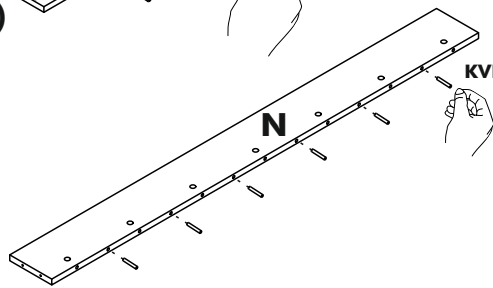


H - K



KVL - 01 x 6

M-(R/L)



N



KVL - 01 x 6

VIDEO



STEP 11



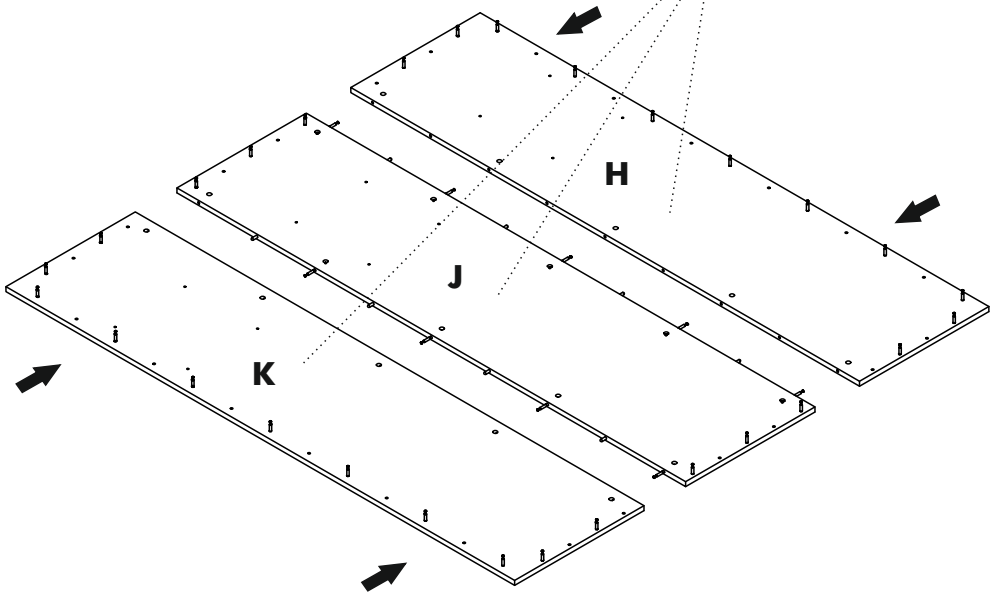
MNG - 01



210°



MNG - 01 x 20

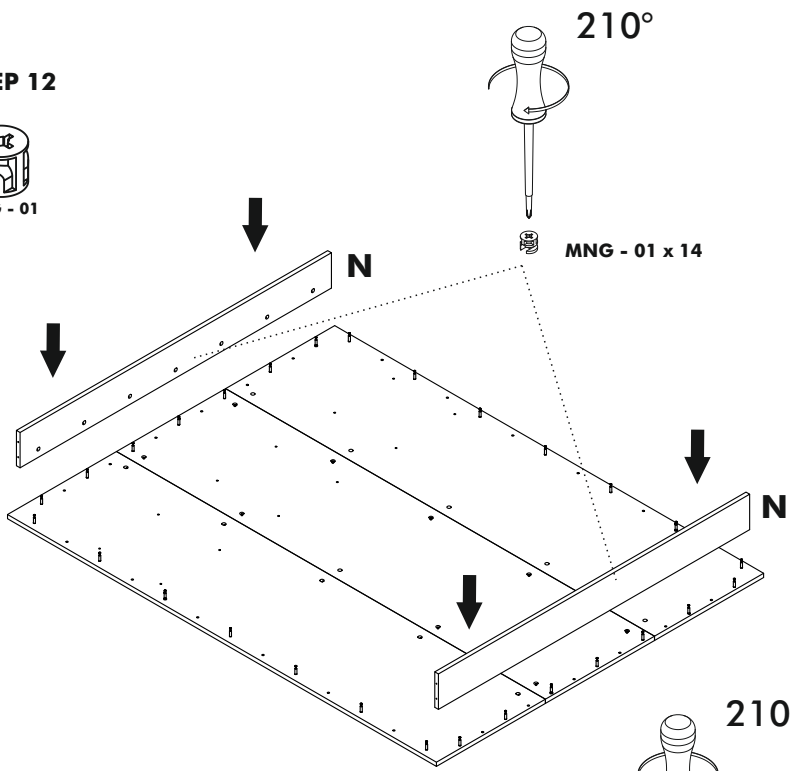


VIDEO

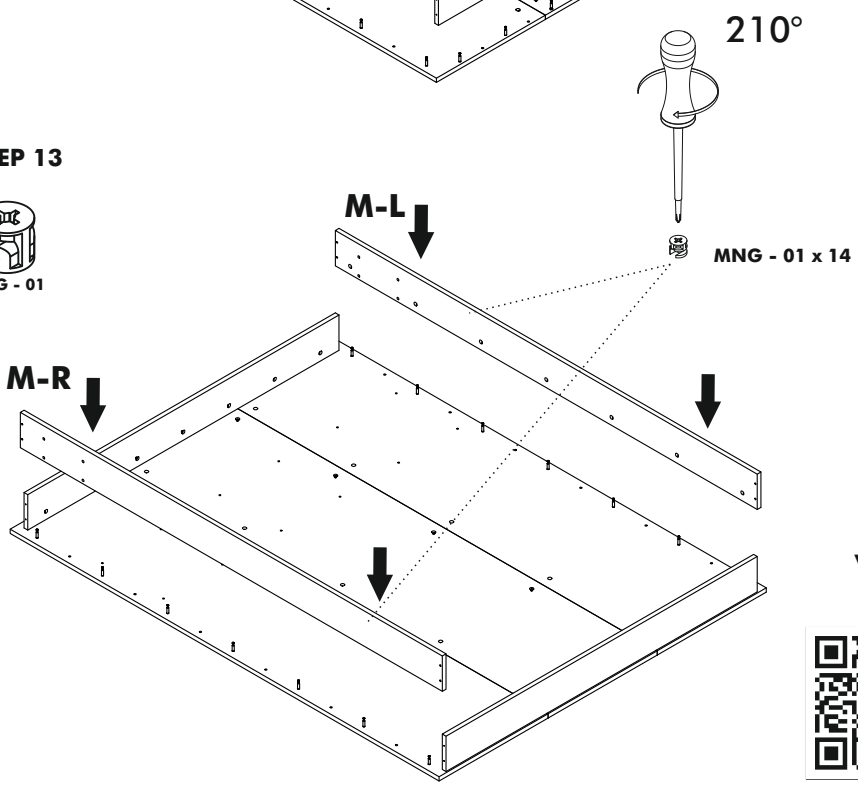


<https://youtu.be/4Kqd8Z32wpQ>

STEP 12



STEP 13

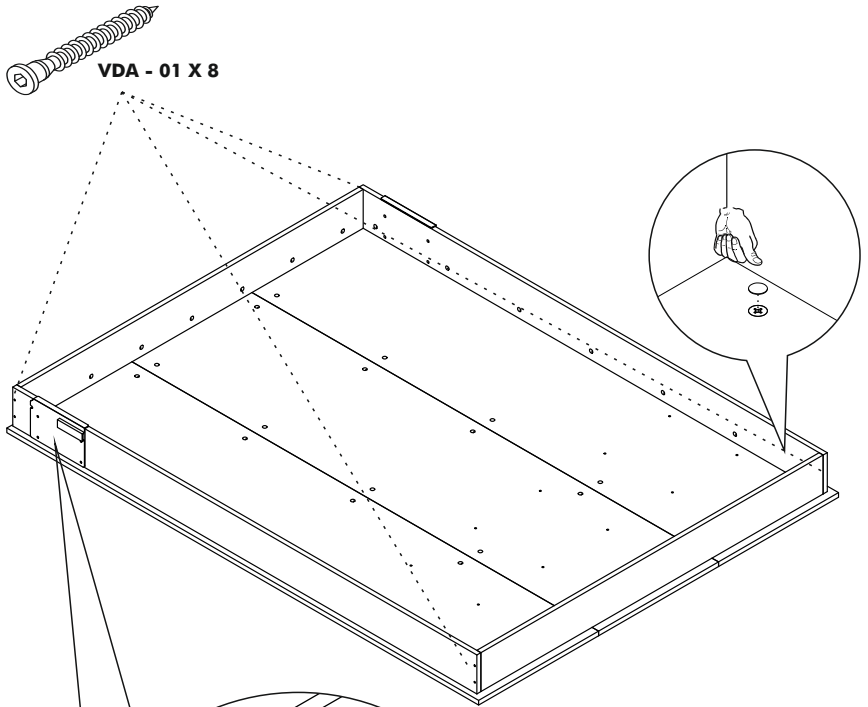


VIDEO

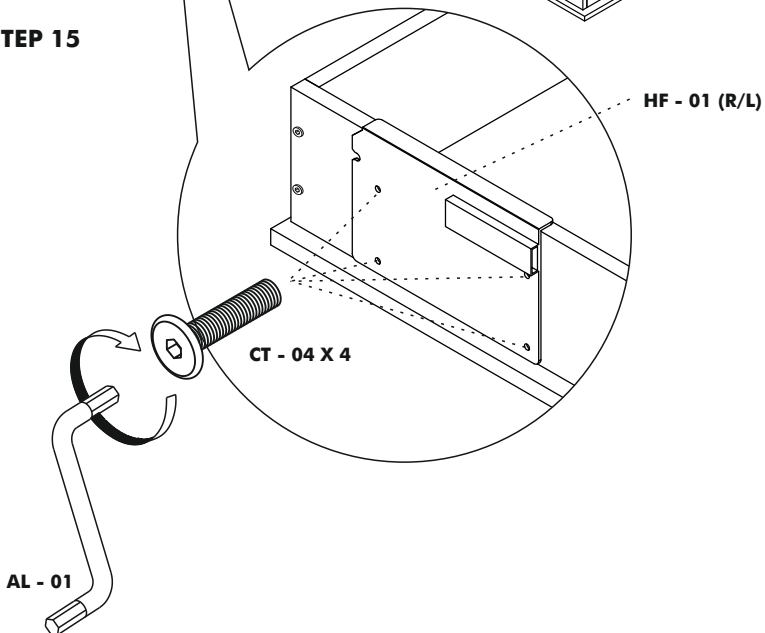


<https://youtu.be/-a3M-ikq6iw>

STEP 14



STEP 15

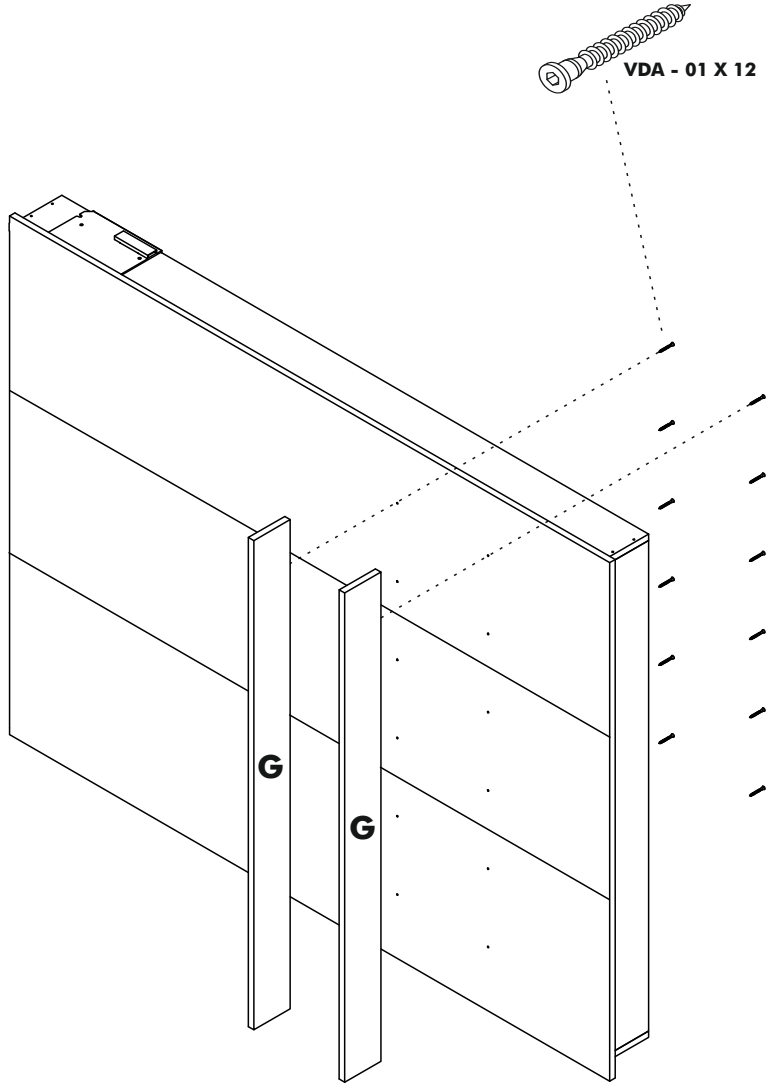


VIDEO



<https://youtu.be/ktx0wP65PEE>

STEP 16

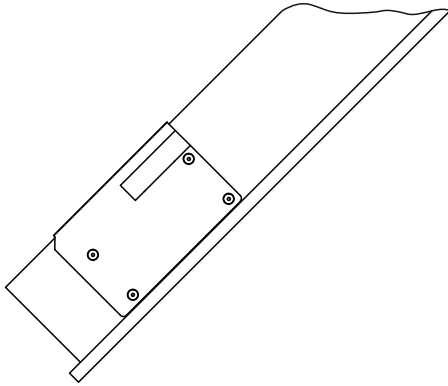
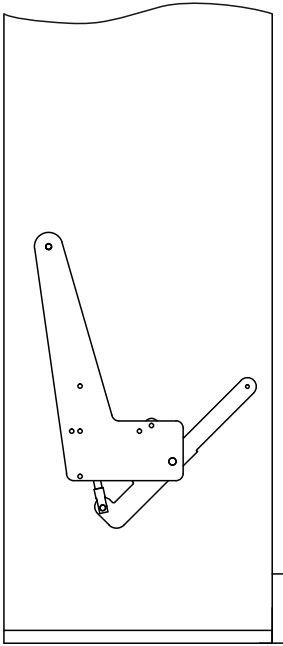


VIDEO

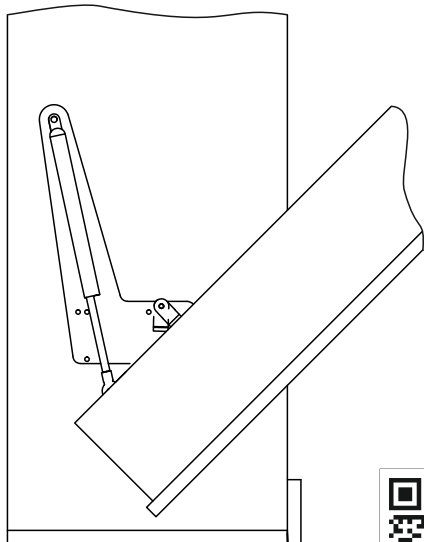


<https://youtu.be/m4-9LJGLonM>

STEP 17



STEP 18



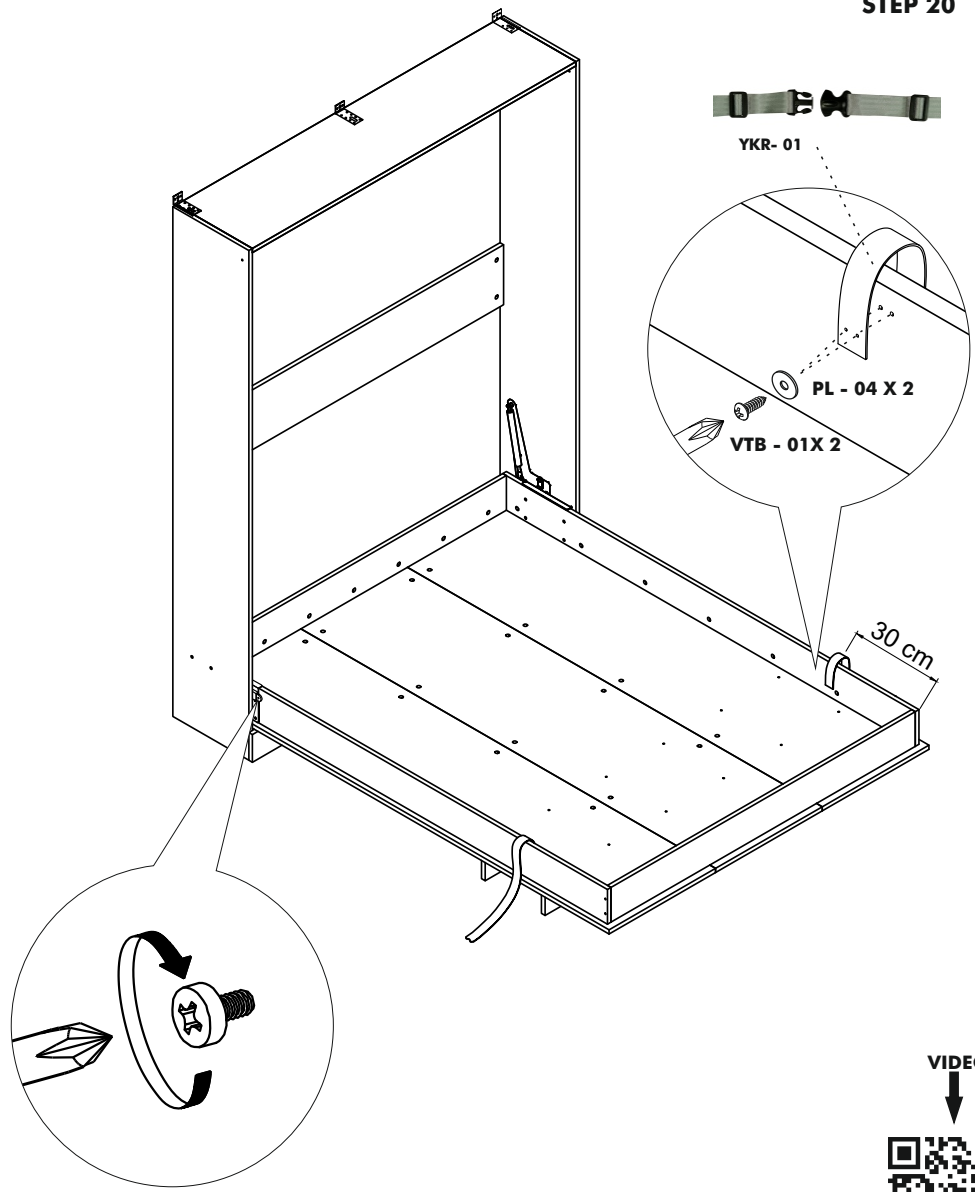
VIDEO



<https://youtu.be/1aAWhHcW3iM>

STEP 19

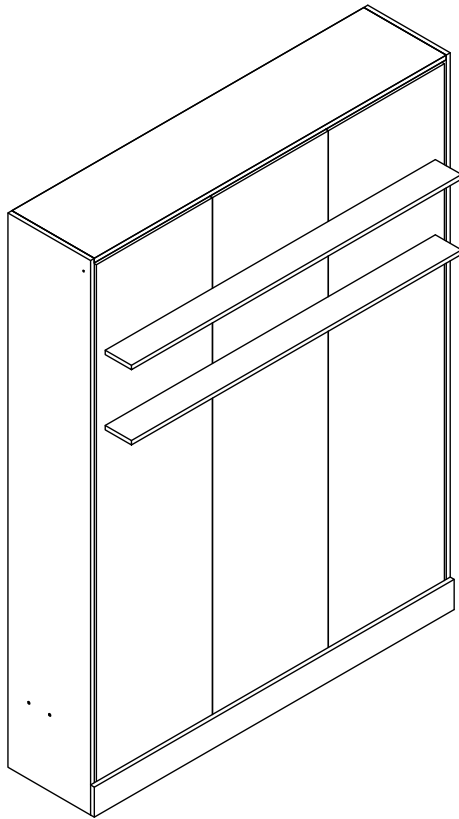
STEP 20



VIDEO



<https://youtu.be/MPczvcHLfPw>



ATTENTION / HOW TO / READ ME / OWNER'S GUIDE

1. When mounting on a regular drywall, furniture must be fastened to wood or metal studs. Solid walls made of brick, concrete or similar strong material are also acceptable. Do not mount furniture to paper-mache or sheet rock like material without properly attaching to stud.
2. For safety and product longevity you must periodically inspect the mounting and mechanical connections for integrity and tightness. Confirm hardware remains properly affixed and connections snug.
3. Wall Bed mattress thickness may not exceed 8 inch. Take care to remove pillows and excess blankets before closing. Doing so keeps mechanism free of obstruction and unnecessary stress.
4. Do not lean or rest heavy objects on side or top of furniture. This may cause balance issues and compromise the integrity of your mounting connections.
5. Please use the furniture's beds, desks and shelving as intended. Not designed to be sat, stood, leaned, jumped (etc) on. Improper use may cause personal injury and damage to property.
6. With seasonal humidity change you must inspect interior and exterior of furniture.
7. Single, Twin, Twin XL beds accommodate the weight of one person. Improperly sleeping more than one person risks injury to person and damage to property.
8. Before any un-mounting or disassembly please contact Multimo for technical support and instruction. Failure to properly detach risks injury to person and damage to property.
9. For Bunk Beds:
 - a. Always use provided ladder when accessing top bunk.
 - b. Be slow, careful and aware of surroundings when opening top bunk.
 - c. Do not horseplay. Beds are to be slept on only.
 - d. Some have legs that fully extend when open- be aware of where the leg is and will be.



MULTiMO

www.multimo.com